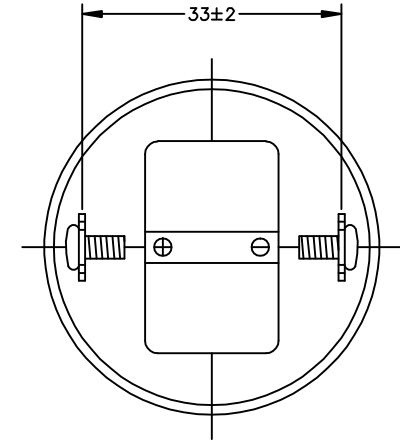
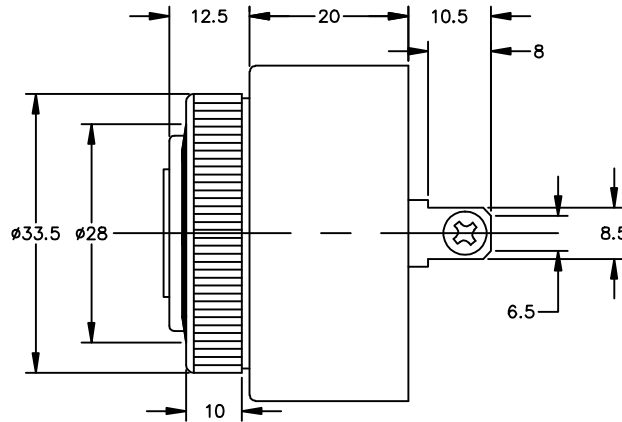
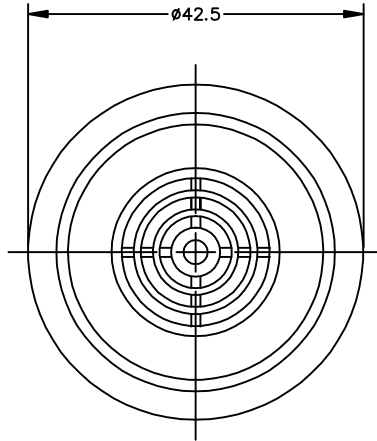


THIS DOCUMENT CONTAINS DATA PROPRIETARY TO PROJECTS UNLIMITED, INC. ANY USE OR REPRODUCTION, IN ANY FORM, WITHOUT PRIOR WRITTEN PERMISSION OF PROJECTS UNLIMITED, INC. IS PROHIBITED.
 ©2003, Projects Unlimited Inc.

SPECIFICATIONS


PARAMETERS	VALUES	UNITS
RATED VOLTAGE	110	Vac
OPERATING VOLTAGE RANGE	30 ~ 120	Vac/Vdc
RATED CURRENT (MAX)	20	mA
MINIMUM SPL @ 10 cm.	92	dBa
RESONANT FREQUENCY	2,800±500	Hz
TONE OR PULSE RATE	FAST PULSE	3 PULSE PER SECOND
OPERATING TEMPERATURE	-30 ~ +85	°C
STORAGE TEMPERATURE	-40 ~ +85	°C
HOUSING MATERIAL	NYLON	-
TERMINAL MATERIAL	Sn PLATED BRONZE	-
WEIGHT	41	grams


REVISIONS			
LTR	DESCRIPTION	DATE	APPROVED
-	RELEASED FROM ENGINEERING	6/21/06	
A	REVISED PULSE RATE	2/29/08	R.W.



NOTES:

1. ALL DIMENSIONS ARE IN MILLIMETERS.
2. SPECIFICATION SUBJECT TO CHANGE OR WITHDRAWAL WITHOUT NOTICE.
3. THIS PART IS RoHS 2002/95/EC COMPLIANT.

UNLESS OTHERWISE SPECIFIED: DIMENSIONS ARE IN MILLIMETERS, TOLERANCES ARE ±0.5 AND ANGLES ARE ±3°.	 A Division of Projects Unlimited	6300 Sand Lake Road Dayton, Ohio 45414
---	---	---

THIS PART IS UL RECOGNIZED IN THE USA AND CANADA. 

FILE NAME: AI-4228-P-FP120-R.DWG

APPROVALS	DATE	SIZE A	DRAWING NO. AI-4228-P-FP120-R
DRAWN J.D.	6/06		
CHECKED E.P.	6/06		
APPROVED B.R.	6/06	SCALE: N.T.S.	SHEET 1 OF 1